



# H8 series

M8 high frequency DC



## features

- Very small dimensions: M8 housing
- High switching frequency: 50 kHz
- Completely amplified
- IP67 protection degree
- Strong stainless steel housing
- Approvals: CE



## web contents

- Application notes
- Photos
- Catalogue / Manuals



M8 high frequency  
DC

## code description

H8 E / 1

series	<b>H8</b>	M8 miniaturized through-beam
function	<b>E</b>	Emitter
	<b>R</b>	Receiver
version	<b>1</b>	Standard version

## available models

model	housing	distance (mm)	exit	note	model
emitter	stainless steel	80	cable	5 Vdc - 25 mA	H8E/1
receiver				I <sub>max</sub> = 50 mA P <sub>max</sub> = 250 mW	H8R/1



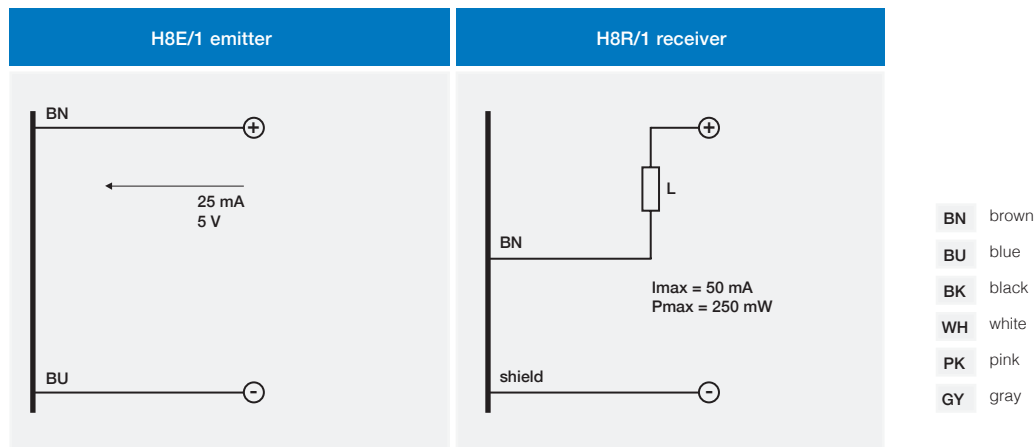
# technical specification

through-beam models

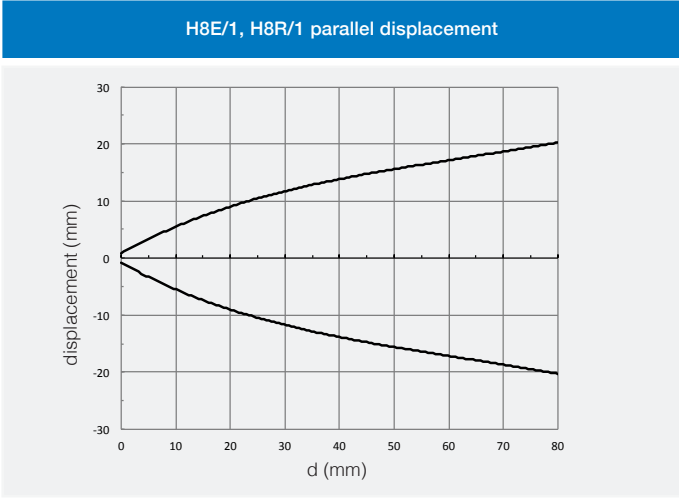
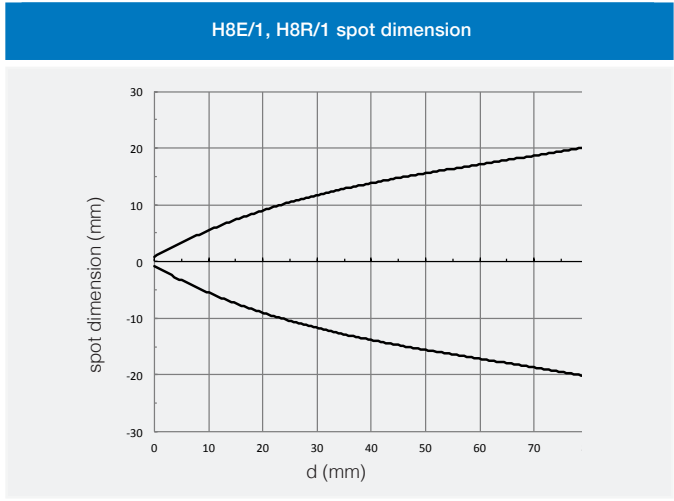
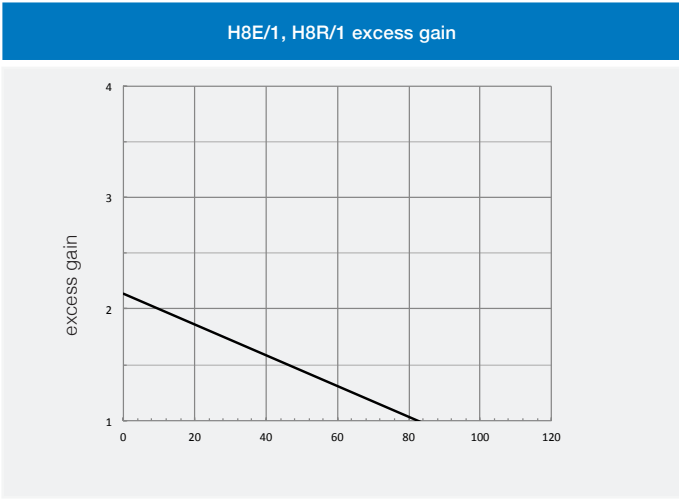
DC M8 high frequency

H8	
nominal sensing distance	80 mm
emission	infrared (880 nm)
minimum detectable object	-
repeatability	-
supply voltage	5 Vdc (E1), 30 Vdc max R1
ripple	≤ 1 %
no-load supply current	25 mA (E1)
load current (nominal)	≥ 2,5 mA
load current (maximum)	≤ 50 mA, 250 mW
leakage current	-
voltage drop	≤ 0.2 V @ 2.5 mA
output type	open collector
switching frequency	50 kHz
power on delay	-
power supply protections	-
EMC	in conformity with the EMC Directive according to EN 60947-5-2
output protection	-
operating temperature range	- 25°C...+ 70°C (without freeze)
external light interference	150 lux (incandescent lamp)
protection degree	IP67 (EN60529)
LEDs	-
housing materials	stainless steel
optic materials	plastic
weight	63 g

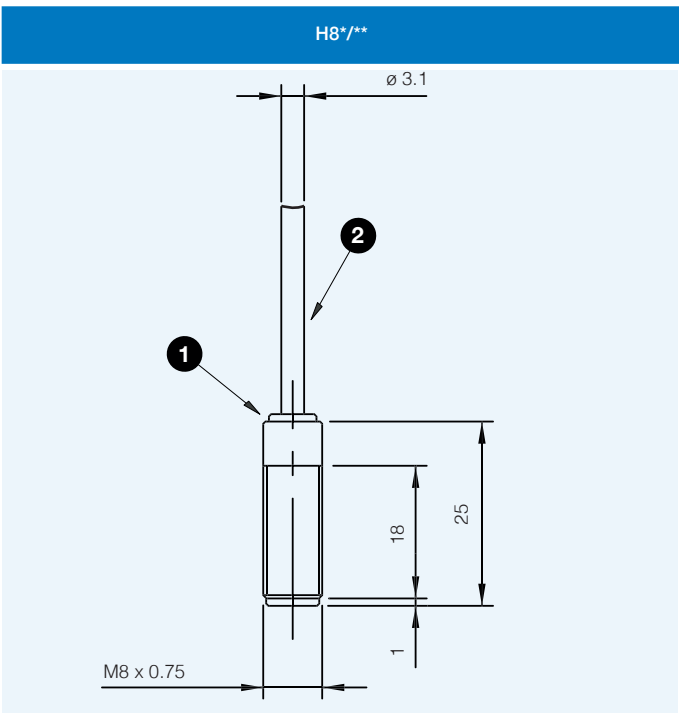
## electrical diagrams of the connections



# response diagram



# dimensions (mm)



- 1 axial cable exit
- 2  $\varnothing 3.1$  mm, PVC, 2 m

# dimensions (mm)

accessories included in all metallic models

